



REGIONE AUTONOMA DELLA SARDEGNA



COMUNE DI VILLANOVAFRANCA

Provincia del Sud Sardegna

**PROGETTI PER LA REALIZZAZIONE DI RETI PER LA SICUREZZA DEL
CITTADINO E DEL TERRITORIO - RETI SICUREZZA – FASE 2-
POR FESR 2014-2020**

**Lavori di ampliamento impianto di videosorveglianza territoriale e degli
edifici pubblici del Comune di Villanovafranca.
C.U.P. J64I19000050002 - C.I.G. 7901254112**



Elaborato:

All. F	Specifiche Tecniche - Datasheets
------------------	----------------------------------

Fase di elaborazione:

Progetto Definitivo

Scala:

Data Elaborazione:

Settembre 2019

Professionista incaricato:

Ing. Narciso Piras

Collaboratori:

Coordinamento della sicurezza:

Ing. Narciso Piras

Il Responsabile del Servizio:

Ing. Valerio Porcu

Responsabile del procedimento:

Ing. Valerio Porcu

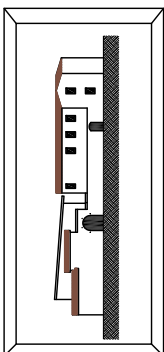
Il sindaco:

Sig. Matteo Castangia

Ing. Narciso Piras e Più

Via Circonvallazione, 6 bis
09030 - Samassi (VS)

Tel. e Fax 070.9382056 - cell. 339.6065561
E-mail: narcisopiras@tiscali.it



Cod. Fisc. PRS NCS 71A18 H738X
P. Iva 02646230926



COMUNE DI VILLANOVAFRANCA

Provincia del Sud Sardegna

***Progetti per la realizzazione di reti per la sicurezza del cittadino e del territorio-
Reti Sicurezza – Fase 2 – POR FESR 2014/2020***

***Lavori di ampliamento impianto di videosorveglianza territoriale e degli edifici
pubblici del Comune di Villanovafranca.***

C.U.P. : J64I19000050002-C.I.G. : 7901254112

PROGETTO DEFINITIVO

All.F – Specifiche Tecniche - Datasheet

DHI-ITC352-RU2D-(IR)L

3MP Deep Sense Traffic Camera



- Adopting high-performance multi-core processor
- Adopting high-performance image sensor
- Adopting ISP function
- Adopting deep-learning intelligent algorithm
- Multiple signals, data and communication port
- Precisely synchronizing signal input & output
- Innovative and creative on the ITS concept & implementation
- All-in-one integrated design (trigger detection, behaviour analysis & information recognition)
- Impeccable low-energy consumption AIO design
- Build-in HD camera, interface connector, easy to install and debug.

Overview

This new camera is mainly used in roadway ANPR system and red light enforcement system, devoting to Front-end License Plate Recognition. More than 98% vehicle capture rate, up to 95% ANPR rate and its capture speed can reach 200km/h, covering at most 2 lanes!

Technical Specification

Technical Data

Image Sensor	1/1.8 inch Global Shutter CMOS
Max. Resolution	3 MP, 2048 (H)×1536 (V)
Lenses	Motorized/ Auto Iris(DC)
Focal Length	10 ~ 40mm
ANPR Distance	18 ~ 25 m
Video Frame	Up to 25 fps
Camera Speed Shutter	1/50 ~ 1/100000
Day/Night	Auto ICR (with polarized lens and infrared filter)
Lamp	White /IR light
White Balance	Auto/Manual
Gain Control	Auto/Manual
Noise Reduction	3D

Network

Interoperability	CGI, SDK, Onvif
Web Viewer	IE8, IE9, IE10, IE11, Chrome V33, V41
Protocol	IPv4/IPv6, HTTP, TCP/IP, UDP, NTP, DHCP, DNS

Intelligence

License Plate Recognition (LPR)	Embedded
Vehicle Detection	Supports vehicle video detection with high detection rate; supports vehicle direction detection
Detection Model	Supports Video detection or radar detection
Vehicle Data Structuring	vehicle brand, vehicle size, vehicle color detection and etc.
Vehicle Size Detection	Supports 11 vehicle sizes detection: large bus, heavy truck, medium truck, sedan, minivan, light truck, SUV, MPV, medium bus, pick-up and minicar.
Vehicle Color Detection	Supports 11 colors detection (daytime): white, black, blue, red, yellow, green, pinkish purple, gray, brown, orange and silver.
Violation Detection	Overspeed, red light running, etc.
Flow Detection	Statistical data of each lane: time, date, statistical period, lane, traffic flow, occupancy, headway, average speed, queue length, vehicle type
Video Tamper-proofing	Video/Image with watermark tech and check function

Interface

Ethernet	2 × 100/1000M Ethernet port
Extra Interface	2 × USB and 1 × FD Card
RS485	2
RS232	4
Alarm I/O	2 × Alarm out / 4 × Alarm in 7 × Optical coupling output

Power,Size,Environment

Power	AC110~220V, Max. 30W
Working Environment	Temperature -40°C~+80°C, Humidity 10%~90%
Dimensions	544mm × 195.5mm × 171.5mm
Ingress Protection	IP67
Weight	8kg

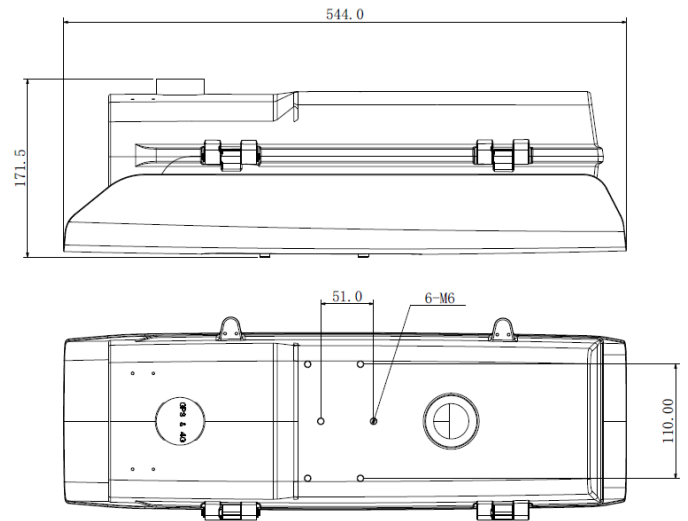
Certifications

Certifications	CE FCC
----------------	-----------

Ordering Information

Type	Part Number	Description
3MP camera	DHI-ITC352-RU2D-L	Support white lamp
	DHI-ITC352-RU2D-IR	Support IR lamp

Dimensions (mm/inch)



DH-PSDW5631S-B360

3x2MP Multi-Sensor Network Camera+PTZ Camera



- Panoramic: Three 1/2.7" 2Megapixel progressive scan CMOS
- PTZ: One 1/2.7" 2Megapixel progressive scan CMOS
- H.265/H.264 dual-stream encoding
- 25fps@1920x1080
- Support 360-degree panoramic view
- Day/Night(ICR), 3DNR, AWB, AGC, BLC
- Max IR LEDs Length 15m
- Micro SD card slot, up to 256GB
- PoE+



System Overview

The Dahua PSDW5631SP-B360 Panoramic Multi-Sensor plus PTZ camera combines three (3) 2MP sensors working in tandem and a high-speed PTZ camera to create a comprehensive 360° view. With its all-in-one design, the camera provides a 360° panorama and provides region of interest details at the same time. In addition, the PSDW5631SP-B360 offers the Intelligent Video System (IVS), a built-in video analytic algorithm that delivers intelligent functions to monitor a scene for Tripwire violations, intrusion detection. The PSDW5631SP-B360 camera can replace multiple single-sensor cameras providing a higher return on investment.

Functions

Panoramic

Panoramic cameras provide 180°, 360° full range of video scene, bringing people a new sense of real live and interactive experience. Dahua provides two kinds of panoramic camera, single sensor fisheye camera and multi-sensor camera, both of them can offer 180-degree & 360-degree panoramic image. Through working together with PTZ camera which offer whole scene and region details at same time. It provided new surveillance experience to end user and improved the surveillance quality.

True Day/Night

A day/night mechanical IR cut filter makes this camera ideal for applications with fluctuating lighting conditions, delivering color images during the day and automatically switching to monochrome as the scene darkens.

HEVC (H.265)

H.265 ITU-T VCEG is a new video coding standard. H.265 Following standard developed around the existing video coding standard H.264, some retain the original technology, while some of the relevant technology to improve the new technology uses advanced technology to improve the relationship between the code stream, encoding quality, and the delay between algorithm complexity, optimize settings

specific contents include: Improve compression efficiency, improve the robustness and error recovery capabilities, real-time to reduce the delay, reduce channel acquisition time and a random access delay, reduce complexity, etc

Smart H.265+

Deliver high quality video without straining the network, Smart H.265+ is the optimized implementation of H.265. The Smart H.265+ encoding technology includes a scene adaptive encoding strategy, dynamic GOP, dynamic ROI, flexible multi-frame reference structure and intelligent noise reduction, providing saving of up to 70% of bandwidth and storage when compared with standard H.265.

Technical Specification

Panoramic Camera

Image Sensor	Three 1/2.7" 2Megapixel CMOS
Effective Pixels	3x1920(H)x1080(V)
Scanning System	Progressive
Electronic Shutter Speed	Auto/Manual, 1/3~1/100000s
Minimum Illumination	0.03Lux/F2.2(Color,1/3s,30IRE) 0.2Lux/F2.2(Color,1/30s,30IRE) 0.03Lux/F2.2(B/W,1/3s,30IRE) 0.2Lux/F2.2(B/W,1/30s,30IRE)
IR Distance	Distance up to 15m(49ft)
IR On/Off Control	Auto/ Manual
IR LEDs	6

Panoramic Lens

Lens Type	Fixed			
Mount Type	Board-in			
Focal Length	2mm			
Aperture Type	Fixed			
Max. Aperture	F2.2			
Angle of View	H: 136°, V:78°			
DORI Distance	Detect	Observe	Recognize	Identify
	30m(98ft)	12m(39ft)	6m(20ft)	3m(10ft)

PTZ Camera

Image Sensor	1/2.7" 2Megapixel CMOS
Effective Pixels	1920(H)x1080(V)
RAM/ROM	1024MB/128MB
Scanning System	Progressive
Electronic Shutter Speed	Auto/Manual, 1~1/30000s
Minimum Illumination	0.02Lux/F1.8(Color,1/3s,30IRE) 0.1Lux/F1.8(Color,1/30s,30IRE) 0.02Lux/F1.8(B/W,1/3s,30IRE) 0.2Lux/F1.8(B/W,1/30s,30IRE)

PTZ Lens

Lens Type	Motorized				
Mount Type	Board-in				
Focal Length	2.7mm~13.5mm				
Aperture Type	Auto				
Max. Aperture	F1.8				
Angle of View	H: 105.9°~33.3°, V: 56°~18.7°				
Optical Zoom	4x				
DORI Distance	Lens	Detect	Observe	Recognize	Identify
	W	44m(144ft)	18m(59ft)	9m(30ft)	4.5m(15ft)
	T	133m(436ft)	53m(174ft)	26m(85ft)	13m(43ft)

PTZ

Pan/Tilt Range	Pan: 0° ~ 355° endless; Tilt: 0° ~ 80°
Manual Control Speed	Pan: 32° ~51° /s; Tilt: 22° ~40° /s
Presets Speed	Pan: 51° /s ; Tilt: 40° /s
Presets	80
Speed Setup	Human-oriented focal Length/ speed adaptation
Power up Action	Auto restore to previous PTZ and lens status after power failure
Protocol	DH-SD, Pelco-P/D (Auto recognition)

Intelligence

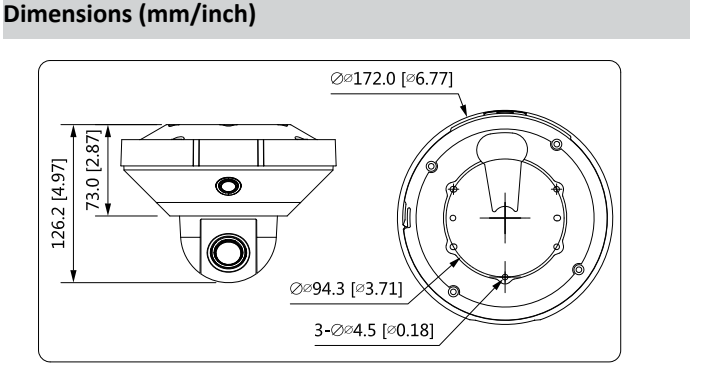
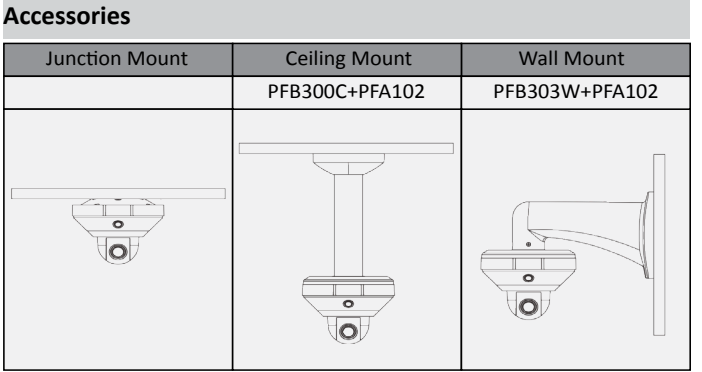
IVS	Tripwire, Intrusion
-----	---------------------

Video

Compression	H.265/H.264/H.264B/H.264H/MJPEG(sub stream)	
Smart Codec	Support H.265+/H.264+	
Streaming Capability	2 Streams	
Resolution	Panoramic Camera	1080P(1920x1080)/ 1.3M(1280x960)/ 720P(1280x720)/ D1(704x576/704x480)/ VGA(640x480)/CIF(352x288/352x240)
	PTZ Camera	1080P(1920x1080)/ 1.3M(1280x960)/ 720P(1280x720)/ D1(704x576/704x480)/ VGA(640x480)/CIF(352x288/352x240)
Frame Rate	Panoramic Camera	Main Stream: 1080P(1~25fps) Sub Stream: D1(1 ~ 25fps)
	PTZ Camera	Main Stream: 1080P(1~25fps) Sub Stream: D1(1~25fps)
Bit Rate Control	CBR/VBR	
Bit Rate	Panoramic Camera	H.265: (16Kbps~ 6144Kbps) H.264: (32Kbps~ 8192Kbps)
	PTZ Camera	H.265: 4Kbps~ 8192Kbps H.264: 8Kbps~ 7168Kbps
Day/Night	Auto(ICR) / Color / B/W	
BLC Mode	BLC / HLC / DWDR	
White Balance	Auto/Natural/Street Lamp/Outdoor/Manual	
Gain Control	Auto/Manual	
Noise Reduction	3D DNR	
Motion Detetion	Off / On (4 Zone, Rectangle)	
Region of Interest	Off / On (4 Zone)	
Electronic Image Stabilization(EIS)	N/A	
Smart IR	N/A	
Defog	N/A	

Digital Zoom	16x	
Flip	0°/90°/180°/270°	
Mirror	Support	
Privacy Masking	Panoramic Camera	Off / On (4 Area, Rectangle)
	PTZ Camera	Off / On (24 Area, Rectangle)
Audio		
Compression	G.711a/G.711Mu/AAC/ G.726	
Network		
Ethernet	RJ-45 (100/1000Base-T)	
Protocol	HTTP;HTTPS;TCP;ARP;RTSP;RTP;UDP;SMTP;FTP;DHCP;DNS;DDNS;PPPOE;IPv4/v6;QoS;UPnP;NTP;Bonjour;802.1x;Multicast;IGMP;SNMP	
Interoperability	ONVIF Profile T, CGI	
Streaming Method	Unicast / Multicast	
Max. User Access	10 Users/20 Users	
Edge Storage	NAS Local PC for instant recording Mirco SD card 256GB	
Web Viewer	IE, Chrome, Firefox, Safari	
Management Software	Smart PSS, DSS, DMSS	
Smart Phone	IOS, Android	
Certifications		
Certifications	CE:EN 60950-1 UL:UL60950-1 FCC: FCC Part 15 Subpart B	
Interface		
Video Interface	N/A	
Audio Interface	1/1 channel In/Out	
RS485	1 Port	
Alarm	3 channel In: 5mA 5VDC 2 channel Out: 300mA 12V	
Electrical		
Power Supply	DC12V(±30%), PoE(802.3at)(Class 4)	
Power Consumption	DC12V:7.2W 14.8W(IR+PTZ+Zoom) PoE:7.4W 16.1W(IR+PTZ+Zoom)	
Environmental		
Operating Conditions	-10° C ~ +50° C (14° F ~ +122° F) / Less than 95% RH	
Storage Conditions	-10° C ~ +50° C (-14° F ~ +122° F) / Less than 95% RH	
Ingress Protection	N/A	
Vandal Resistance	N/A	
Construction		
Casing	Metal+Plastic	
Dimensions	Φ172mm×123.4mm(Φ6.77"×4.86")	
Net Weight	0.78kg(1.72lb)	
Gross Weight	1.13kg(2.5lb)	

Ordering Information		
Type	Part Number	Description
Panoramic+ PTZ camera	DH-PSDW5631SP-B360	3x2MP Multi-Sensor Network Camera+PTZ Camera, PAL
	DH-PSDW5631SN-B360	3x2MP Multi-Sensor Network Camera+PTZ Camera,NTSC
	PSDW5631SP-B360	3x2MP Multi-Sensor Network Camera+PTZ Camera, PAL
	PSDW5631SN-B360	3x2MP Multi-Sensor Network Camera+PTZ Camera,NTSC
Accessories (included)	PFA102	Mount Adapter
	PFB300C	Ceiling Mount
	PFB303W	Wall Mount



DH-NKB1000/DH-KBD1000/DH-KB1000

Network Keyboard & Control Keyboard & Dome keyboard



Features

- Keyboard to Control
- -Dahua High Speed Dome (all models)
- -Dahua Standalone DVR (KBD1000 & NKB1000 only)
- -Dahua Network High Speed Dome (NKB1000 only)
- -Network Video Server (NKB1000 only)
- Connection
- -NKB1000: RS485, RS422, USB, RS232 & Network
- -KBD1000: RS485, RS422, USB & RS232
- -KB1000 : RS485, RS422 & USB
- Three Dimensional Joystick Control of PTZ Functions
- Preset Position, Auto Scan, Auto Pan, Auto Tour & Pattern Control
- Auxiliary Functions
- On-Screen Menu & User Operation Procedure Tips
- Connect to SmartPSS via USB (NKB1000 only)

Technical Specifications

Model	DH-NKB1000	DH-KBD1000	DH-KB1000
General			
Keyboard Keypanel	Electromechanical		
Joystick	3-axis, vector-solving, with twisting, return to-center head		

DH-NKB1000/DH-KBD1000/DH-KB1000

Keyboard Connector	RJ-45,RS232,RS485,RS422,USB,	RS232,RS485,RS422	RS485,RS422
Keyboard Communication	Direct Mode, Network Mode	Direct Mode	Direct Mode
Direct Mode	Interface: RS232/RS485 DVR Protocol: DH2 Dome Protocol: DH-SD/PELCO-D/PELCO-P/PELCO-D1/PELCO-P1.....		
Network Mode	Interface: RJ45 DVR/Network Dome: IP Address/Port/Protocol	N/A	N/A
Display	LCD, 75.2mm x 33.85mm		
Environmental			
Power Supply	Power adapter, input 100V~240V 50Hz / 60Hz,output DC12V/1000mA		
Power Consumption	5W		
Working Temperature	-10℃ ~ +55℃		
Working Humidity	10%~90%		
Atmosphere Pressure	86kpa~106kpa		
Dimension	330mmx160(140)mmx37.5(21)mm (W×D×H) (height: 100mm including joystick)		
Weight	2.5KG		

Dahua Technology Co., Ltd.

1187 BinAn Road, Binjiang District, Hangzhou, China

Tel: +86-571-87688883

Fax: +86-571-87688815

Email:overseas@dahuatech.com

www.dahuatech.com

*Design and specifications are subject to change without notice.

© 2013 Dahua Technology Co., Ltd.

DHL32-F600

32" FHD LCD Monitor



Features:

- Industrial level LCD panel, suitable for continuous 24/7 operation
- Physical resolution of 1920×1080
- High fidelity digital processing for a brilliant and vivid video
- 8ms fast response time for no motion blur, judder or ghosting
- Built-in speakers



Technical Specification

Model

Model	DHL32-F600
-------	------------

Display

Screen Size	31.5"
Aspect Ratio	16:9
Resolution	1920×1080 (FHD)
Backlight	LED
Brightness/Luminance	350 cd/㎡
Contrast	1200:1
Display Color	16.7M(8bit)
Viewing Angle(H/V)	178°(H)/178°(V)
Response time	8ms
Refresh Rate	60Hz

Signals

Input	VGA(D-Sub)×1, HDMI×2, DP×1, Audio×1	
Output	Speaker	3W×2

General

Power Supply	AC100~240V (+/-10%), 50/60 Hz
--------------	-------------------------------

Consumption (Standard)	50W	
Consumption (Standby)	≤0.5W	
Type	Internal	
Net Weight	5.4kg (11.9lb)	
Gross Weight	7.3kg (16.1lb)	
Bezel Width	13.9mm (U/R/L), 23.9mm (B)	
Wall Mount	100×100mm (3.9"×3.9")	
Dimension without standard (W×H×D)	731.2×435.6×79.2mm (28.8"×17.1"×3.1")	
Package(W×H×D)	792×520×141mm (31.2"×20.5"×5.6")	
Work Environment	Temperature	0 C~40 C (32°F~104°F)
	Humidity	10%~90%

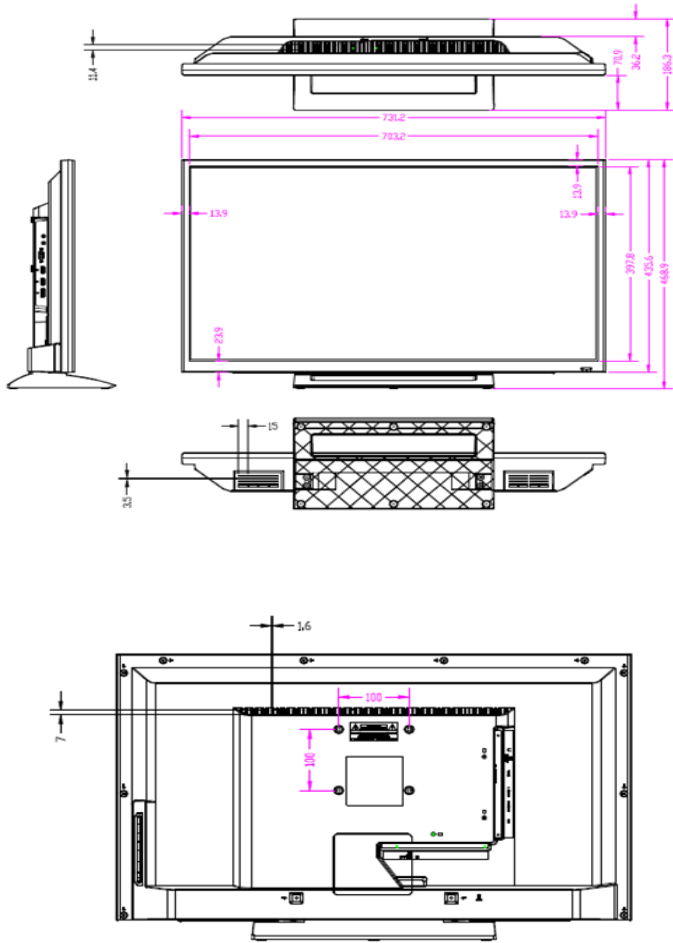
Accessory

Standard	VGA cable, power cable, pedestal
Optional	Hanging bracket

Certifications

Certifications	CE/FCC
----------------	--------

Dimensions(mm)

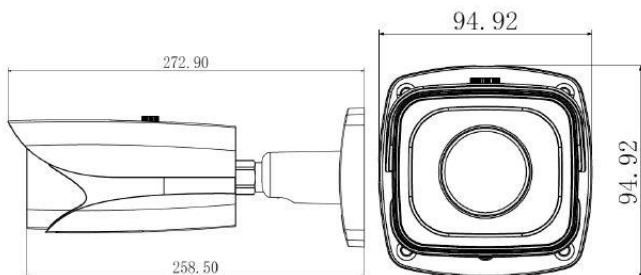




IR camera IP H265 da esterno/interno IP67 con analisi video base, sensore CMOS progressivo 1/3", risoluzione 4Mp con 25Fps, ICR meccanico, ottica motorizzata 2.7~13.5mm auto IRIS DC, luminosità 0.03Lux $f1.4$ (0 con Led ON), portata led IR fino a 50mt, 1 LAN 10/100Mbps, 2 ingressi e 1 uscita di allarme, 1 ingresso e 1 uscita audio, 1 slot microSD-Card per brevi backup, privacy mask 4 aree, 3D, WDR (120db), face detection, alimentazione 12Vdc o ePoE <12.95W

MARCA O PRODUTTORE

Dahua Technology



CORPO CAMERA

SENSORE	CMOS STARVIS 1/3" da 4Mp
MASSIMA RISOLUZIONE	Primario: 4M a 25/30Fps Secondario: D1 a 25/30Fps
FORMATO / STREAMING	H.265+/H.265/H.264+/H.264 / Triplo
BIT RATE	14~9.984Kbps (H265) / 24~10.240Kbps (H264)
RAPPORTO SIN	>50db
USCITA VIDEO / SISTEMA	1 porta
LUMINOSITÀ / DAY & NIGHT	0.03 Lux $f1.4$ (0 IR Led ON) / Auto (ICR)
ILLUMINAZIONE / TIPO	Portata 10~50mt / IR led 850nm

HARDWARE

GRADO IP E UTILIZZO	IP67 per uso esterno o interno
ANTIVANDALO	IK10
CONDIZIONAMENTO	-
TEMP. ESERCIZIO	-30 ~ +60°C
ALIMENTAZIONE \pm 10%	Poe IEEE802.3af, 12Vdc
MAX ASSORBIMENTO	12.95W

RETE

PORTE LAN / WIFI 3G	1 da 10/100 Mbps / -
PROTOCOLLI RETE	HTTP, TCP/IP, UPNP, RTSP, UDP, ONVIF S, PSIA, CGI
SERVER DDNS	No IP, DynDns, Custom DDNS
CONNETTIVITÀ	PC (IE, Chrome, Firefox, Safari, software client) e smartphone (Iphone, android, tablet)
CENTRALIZZAZIONE SW	Con CENTER*, DSS*, PSS (Windows, MAC, Linux)
ARCHIVIAZIONE	1 Slot microSD Card (max 128GB) per brevi backup su evento

GRUPPO OTTICO

ANGOLO DI VISIONE	106°(wide) ~ 31° (tele)
SHUTTER	Automatico o manuale 1/3~1/100.000s

CORPO CAMERA

OTTICA	2.7~13.5mm
--------	------------

I/O

I/O AUDIO	1 / 1 (bidirezionale)
OSD / RS485	- / -
I/O ALLARME	2 / 1 (bidirezionali)

FUNZIONI

BLC / ATW	Si / -
DEFOG / STARLIGHT	- / -
PRIVACY MASKING	4 aree
ALTRE FUNZIONI	Mirror, freeze, flip, negativo
AUTOTRACKING / IVS	- / Attraversamento, attraversamento linea, entrata in zona, abbandono, rimozione oggetti, protezione perimetro, face detection

POWER UP	-
HOME PARKING (IDLE)	-

PROGRAMMATORE ORARIO -

ACCESSORI

DOTAZIONE -

ACCESSORI

ACCESSORISTICA OPZIONALE	Box di giunzione SFU02J (PFA121), adattatore da palo PFA152-E e convertitore TX+RX passivo IP-RG59 (per ePoE) LR1002
--------------------------	--

PACKING

DIMENSIONI / PESO	L95 x H 95 x P 273.2
-------------------	----------------------

ANNOTAZIONI

PZ CONF. / PESO	20 / 1.51 Kg
-----------------	--------------

NOTE

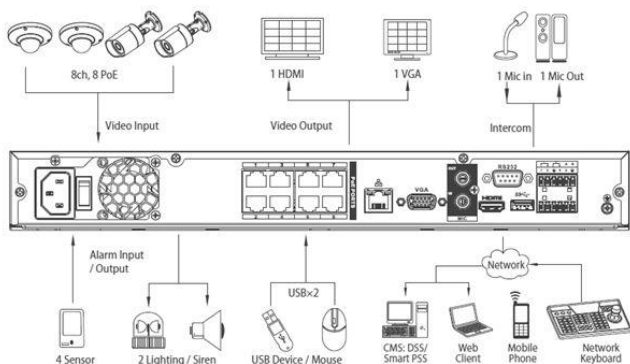
* Accessori opzionali



NVR 8 canali IP fino a 12Mp, rapporto risoluzione/frame e bit rate variabile (16Kbps~20Mbps) per singolo canale, massima banda 320Mbps, 2 uscite video (1 VGA + 1 HDMI), 4 ingressi e 2 uscite di allarme con relè programmabile su eventi multipli, 1 ingresso e 1 uscita audio bidirezionale, predisposto per montaggio di 2 dischi SATA (fino a 10TB cad.), 2 porte USB (mouse, backup), 1 porta RS232, 1 porta RS485, 1 LAN 10/100/1.000Mbps, alimentazione 12Vdc <9.5W senza Hard Disk

MARCA O PRODUTTORE

Dahua Technology



CATEGORIA	8ch NVR
ARCHIVIAZIONE	2 Hard disk SATA (max 10TB cad.)
PORTA RS485 / RS232	1 / 1
I/O	
I/O VIDEO IP	8 IP / -
I/O VIDEO	- / Split a 1/4/8/9 su 1 VGA + 1 HDMI
I/O AUDIO	1 / 1 (bidirezionale)
I/O ALLARME	4 / 2
USCITE SPOT	-
PORTE LAN / WIFI 3G	1 da 10/100/1.000Mbps / -
PORTE USB / ESATA	2 (1 frontale da 2.0 + 1 posteriore da 3.0) / -
COMPRESSIONE	
FORMATO / STREAMING	H.265+/H.265/H.264+/H.264 o MJPEG / Triplo
RISOLUZIONI REC BNC	-
RISOLUZIONI REC IP	8ch fino a 12Mp
BIT RATE	16Kbps~20Mbps per canale
BANDA MASSIMA	320Mbps
INSTALLAZIONE	
MONTAGGIO RACK	1U
TEMP. ESERCIZIO	-10 ~ +55°C
CONDIZIONAMENTO	Con ventole
ALIMENTAZIONE ±10%	12Vdc
MAX ASSORBIMENTO	9.5W (senza dischi)
FUNZIONI	
COMPATIBILITÀ	Onvif 2.4, SDK, CGI
REGISTRAZIONE	Continuo, su allarme, con programmatore orario, MD, IVS
BACKUP	USB (anche da remoto), LAN (SmartPSS, PC, altri NVR)
PLAYBACK	1/4/9, ricerca per data, ora, allarme, MD, Exact Search, digital zoom
PROTOCOLLI RETE	HTTP, HTTPS, TCP/IP, IPv4/IPv6, UPnP, SNMP, RTSP, UDP, SMTP, NTP, DHCP, DNS, IP Filter, PPPoE, DDNS, FTP, Alarm Server, IP Search
SERVER DDNS	No IP, DynDns, Proprietario
CONNETTIVITÀ	PC (IE, Chrome, Firefox, Safari, software client) e smartphone (Iphone, Ipad, android)
CENTRALIZZAZIONE SW	Con CENTER*, DSS*, SmartPSS (Windows, MAC, Linux)
OSD	Data, ora, etichetta, informazioni di allarme, motion detection, registrazione
EVENTI	Motion detector 396 aree (22x18) con 6 livelli, video loss, anti mascheramento, errore/assenza disco, conflitto rete, anomalia alimentazione, Log, Pop up su allarme, tour ciclico, richiamo preset PTZ, push alarm
ALTRE FUNZIONI	Watermark, invio email, digital zoom, FTP, riavvio automatico, programmatore orario con festività, monitor utenti connessi, test banda usata, controllo PTZ con puntatore mouse
MODALITÀ CONTROLLO	Mouse, tastiera remota
PACKING	
DIMENSIONI / PESO	L375 x H 56 x P 282
ANNOTAZIONI	
PZ CONF. / PESO	5 / 3.2 Kg
NOTE	

* Accessori opzionali



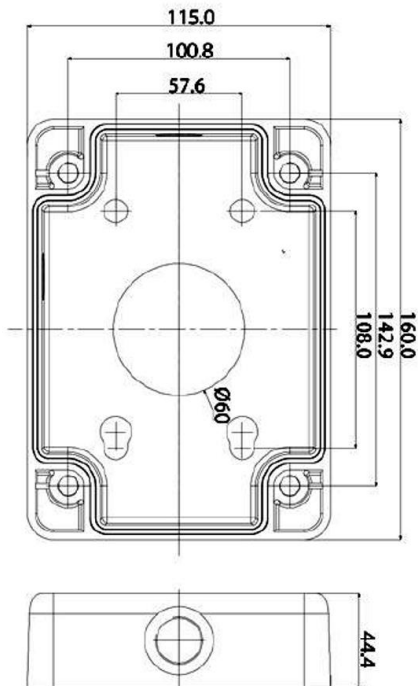
CATEGORIA	Accessorio di fissaggio
MATERIALE	Alluminio
TIPO FISSAGGIO	A parete
PASSAGGIO CAVI	Interno
COMPATIBILITÀ	Staffe di fissaggio per speed dome serie DH-xxFB
COLORE	Bianca
PACKING	
DIMENSIONI / PESO	L115 x H 160 x P 35
ANNOTAZIONI	
PZ CONF. / PESO	1 / 0.6 Kg
NOTE	

* Accessori opzionali

Base di giunzione per staffa da parete

MARCA O PRODUTTORE

Dahua Technology





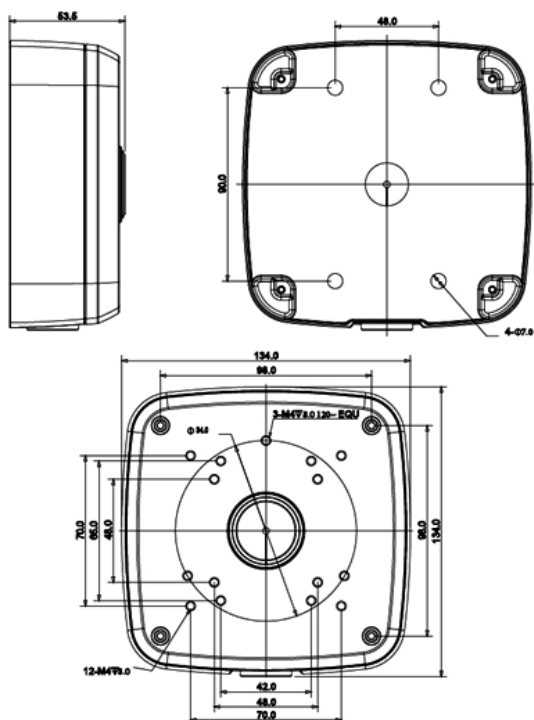
CATEGORIA	Accessorio di fissaggio
CARICO MASSIMO	3Kg
MATERIALE	Alluminio
TIPO FISSAGGIO	Scatola di giunzione per dome
PASSAGGIO CAVI	Interno
COMPATIBILITÀ	-
COLORE	Bianca
PACKING	
DIMENSIONI / PESO	L134 x H 134 x P 53.5
ANNOTAZIONI	
PZ CONF. / PESO	1 / 0.6 Kg
NOTE	

* Accessori opzionali

Scatola di giunzione stagna per telecamere dome VKD-TC16xxx o telecamere con base quadrata. Compatibile con SFT00W e SFT01Wd.

MARCA O PRODUTTORE

Dahua Technology





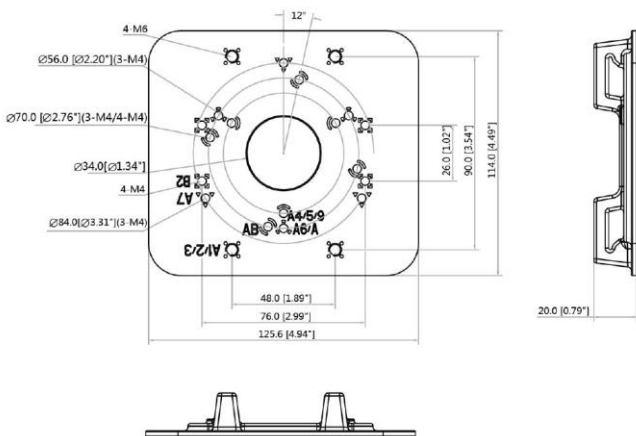
Switch DIN mount 6 porte totali di cui 1 non PoE GE, 1 non PoE SFP, 4 PoE+ FE, budget totale 60W, switching capacity 6.8 Gbps, alimentazione 48-57VDC

CATEGORIA	Switch di rete industriale
PORTE LAN 10/100	4
PORTE LAN 10/100/1.000	1
PORTE FO	1 SFP 100M/1000M self-adaptive
BACK PLANE	-
MODALITÀ	Full duplex
STANDARD SUPPORTATI	IEEE802.3, IEEE 802.3u, IEEE 802.3ab, IEEE802.3z, IEEE802.3af
PORTE POE	4
POTENZA MASSIMA	60
MEMORY BUFFER	-
MAC ADDRESS	8.000
METODO TRASMISSIONE	Store and forward
USCITA	-
GESTIONE DA WEB	-
TEMP. ESERCIZIO	-30 ~ +65°C
ALIMENTAZIONE ±10%	48Vdc
MAX ASSORBIMENTO	-
MONTAGGIO	Desktop o barra DIN
DOTAZIONE	Alimentatore
PACKING	
DIMENSIONI / PESO	L150 x H 100 x P 30
ANNOTAZIONI	
PZ CONF. / PESO	1 / 0.8 Kg
NOTE	

* Accessori opzionali

MARCA O PRODUTTORE

Dahua Technology





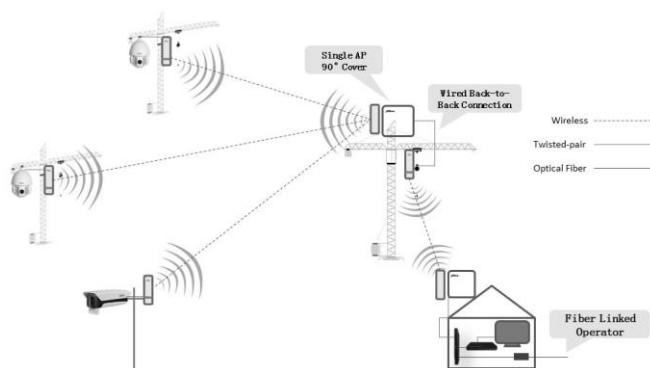
TRX wireless 5G, antenna interna, banda massima 300 Mbps, distanza massima 3 Km, angolo di irradiazione H40° V15°, alimentazione PoE passivo 24VDC (iniettore in dotazione) consumo 8W

CATEGORIA	Access point duplex
PORTE LAN / 3G	1 + 1 WAN / -
FREQUENZA WIFI / 3G	5.470 ~ 5.825GHz / -
CANALI	24
ANTENNA	Integrata a pannello da 15dbi
IMPEDENZA	50Ω
HPBW H / V	40° / 15°
PORTATA	Fino a 5Km a campo aperto
MODALITÀ	Bridge, Gateway, Ethernet
STANDARD SUPPORTATI	IEEE 802.11b/n
DATA RATE	802.11a: up to 54Mbps 802.11n(20MHz): up to 72Mbps 802.11n(40MHz): up to 150Mbps
POTENZA MASSIMA	802.11a: up to 25 ± 1 dBm 802.11n: up to 22 ± 1 dBmW
PROTEZIONI	64/128bit WEP WPA(TKIP with IEEE 802.1x) WPA2(AES with IEEE 802.1x)
GESTIONE DA WEB	SI
ALTRE FUNZIONI	PPPoE, Firewall, DNS, virtual DMZ, port forwarding, DHCP, NTP client, regolazione RF output
TEMP. ESERCIZIO	-30 ~ +70°C
GRADO IP E UTILIZZO	IP66 per uso esterno o interno
ALIMENTAZIONE ±10%	PoE a 24VdcVdc
MAX ASSORBIMENTO	8W
DOTAZIONE	Alimentatore
PACKING	
DIMENSIONI / PESO	L80 x H 280 x P 30
ANNOTAZIONI	
PZ CONF. / PESO	1 / 0.5 Kg
NOTE	
* Accessori opzionali	

MARCA O PRODUTTORE

Dahua Technology

È vivamente consigliato fare delle verifiche o delle prove della portata reale prima di procedere con l'installazione

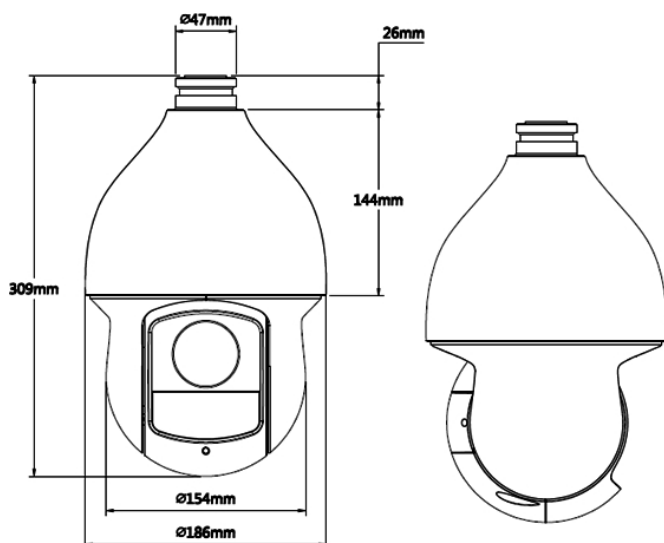




IR speed dome IP H265 da 5", uso esterno/interno IP66 con autotracking e analisi video integrata, sensore CMOS progressivo 1/2.8" STARVIS, risoluzione 1.080p con 50Fps, rotazione PAN 360° endless (0.1°~300°/s) / TILT -15°~90° auto flip (0.1°~200°/s), ICR meccanico, modulo zoom da 30x (4.5~135mm f 1.6~4.4) + 16x digitale, luminosità 0.005Lux f 1.6 (0 con Led ON) con tecnologia Starlight, portata led IR fino a 150mt, 1 porta LAN 10/100Mbps, 2 ingressi e 1 uscite di allarme, 1 ingresso e 1 uscita audio, 1 slot microSD-Card per brevi backup, protocolli Dahua D/D e Dahua da 200 preset, 5 scene, 8 tracce

MARCA O PRODUTTORE

Dahua Technology



CORPO CAMERA

SENSORE	CMOS da 1/2.8" SONY STARVIS progressive scan
MASSIMA RISOLUZIONE	Primario: 1.080p/1.3M/720p a 50/60Fps Secondario: D1/CIF a 25/30Fps
LINEE TV	-
RAPPORTO SIN	>55db
USCITA VIDEO / SISTEMA	-
DISTANZA MASSIMA	-
ZOOM OTTICO / DIGITALE	30x (4.5~135mm f 1.6~4.4) / 16x
ANGOLO DI VISIONE	67.8°(wide) ~ 2.4° (tele)
DISTANZA MINIMA FUOCO	100mm (wide) ~ 1.000mm (Tele)
SHUTTER	Elettronico 1/1s~1/30.000s
LUMINOSITÀ / DAY & NIGHT	0.005 Lux f 1.6 (0 IR Led ON) / Auto (ICR)
ILLUMINAZIONE / TIPO	Portata 10~150mt / IR led 850nm autoadattanti allo zoom
MOVIMENTO ORIZZONTALE	0°~360° endless / 0.1°~300°/s (max 400°/s)
MOVIMENTO VERTICALE	-15°~90° con auto flip 180° / 0.1°~200°/s (max 300°/s)
PROTOCOLLI	DH-SD
NR INDIRIZZI / PRESET	300

HARDWARE

ISOLAMENTO ELETTRICO	-
ALIMENTAZIONE \pm 10%	Poe+, 24Vac
MAX ASSORBIMENTO	23W (IR ON)

I/O

I/O AUDIO	1 / 1 (bidirezionale)
OSD / RS485	- / -
I/O ALLARME	2 / 1 (bidirezionali)
PORTE LAN	1 Porta 10/100Mbps

INSTALLAZIONE

GRADO IP E UTILIZZO	IP66 per uso esterno o interno
CONDIZIONAMENTO	-
TEMP. ESERCIZIO	-40 ~ +70°c

FUNZIONI

BLC / ATW	Sì / On-Off-Auto
DNR / WDR	2D e 3D / WDR (120db)
DEFOG / STARLIGHT	Sì / Sì
PRIVACY MASKING	24 aree
ALTRE FUNZIONI	Mirror, freeze, flip, negativo
AUTOTRACKING / IVS	Zoom automatico su scena singola, multipla o panoramica / Attraversamento, attraversamento linea, entrata in zona, abbandono, rimozione oggetti, face detection, heat map

PATTERNS (RONDA) / GRUPPI	5 / 8
AUTO SCAN / SWING	5 / Sì
POWER UP	Ripristino ultima funzione
HOME PARKING (IDLE)	Personalizzabile
PROGRAMMATORE ORARIO	Sì

ACCESSORISTICA

DOTAZIONE	Staffa da muro PFB300S, adattatore fissaggio PFA110 e alimentatore
-----------	--

ACCESSORISTICA

ACCESSORISTICA OPZIONALE	PFA140, PFB300C, PFA120, PFA150, PFA151 e PFB303S
--------------------------	---

PACKING

DIMENSIONI / PESO	\varnothing 186 x H 309
-------------------	---------------------------

ANNOTAZIONI

PZ CONF. / PESO	1 / 5.9 Kg
-----------------	------------

NOTE

* Accessori opzionali